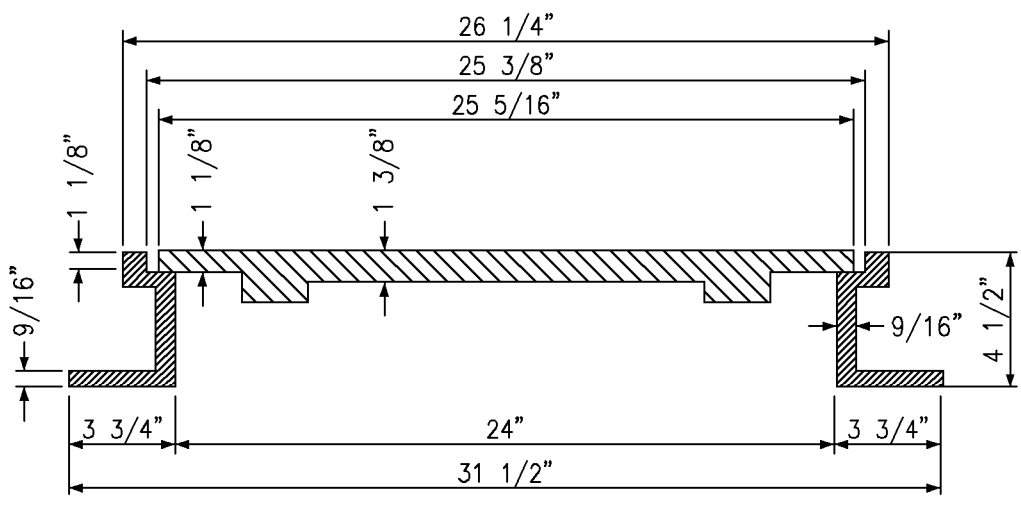


PLAN



SECTION A-A

NOTES:

1. All material used in manufacturing shall conform to A.S.T.M. A48, Class 30.
2. All castings to be completely cleaned and painted with asphaltic varnish, after manufacture.
3. Use Phoenix P-1090, D&L Supply A-1024, or equal.

NOT TO SCALE

STANDARD DETAIL	CITY OF BRISBANE DEPARTMENT OF PUBLIC WORKS	
DATE: 08/12/08	MANHOLE FRAME AND COVER	M-6